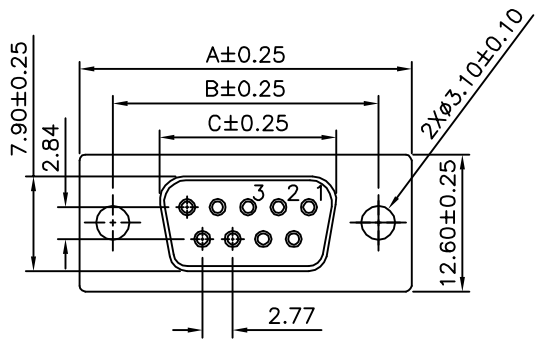
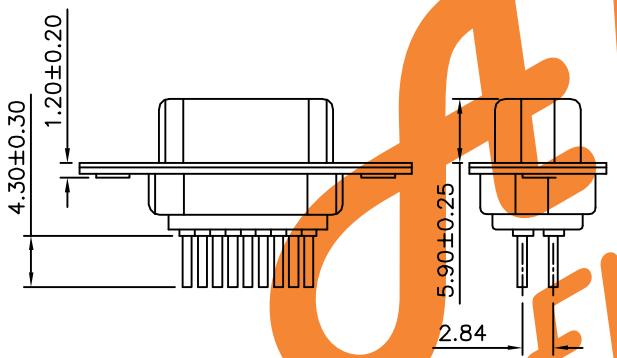


Recommended P.C.B. Layout



09,15,25,37P



SPECIFICATION
 Current Rating:1A Max.
 Dielectric Withstanding Voltage:500V AC
 For 1 Minute
 Contact Resistance:30 Milliohms Max.
 Insulation Resistance:1000 Megaohms Min.
 At DC 500V
 Temperature Range:-55°C~+105°C
 Housing:PBT(UL94V-0),White
 Contact:Brass,Gold Flash Over All,Over Nickel
 Front Shell:Cold Rolled Steel,Nickel Plated
 Over Copper
 Back Shell:Cold Rolled Steel,Tin Plated Over
 Copper
 RoHS Compliant

WWW.ASA-ELEC.COM

AsA Electronic

Pin	A	B	C
09	30.80	25.00	16.30
15	39.20	33.32	24.70
25	53.05	47.04	38.40
37	69.40	63.50	54.80

AsA Electronic
 WWW.ASA-Elec.com
 AsA Electronic Co.
 Tel : (+98) 21 66 73 56 82 Mob : (+98) 912 03 161 02

DRAWING No.		APPROVED BY		UNLESS OTHERWISE SPECIFIED TOLERANCES ARE .X ±0.30 .XX ±0.20 .XXX ±0.10 ANG. ±1°
02899		MEI		
		HZF		
		DRAWING BY		UNIT mm
		SONG		
SCALE	NONE	REV.	A0	NO. REV.

△ A0	NEW RELEASE	HZF	03/19/2012
NO. REV.	REVISIONS	CHK	DATE